

TOTO®

MS624214CEF(G)

Legato® One-Piece High-Efficiency Toilet, 1.28GPF

FEATURES

- Double Cyclone® flushing system, low consumption (1.28GPF/4.8LPF)
- SanaGloss® ceramic glaze - prevents debris and mold from sticking to ceramic surfaces, leading to fewer chemicals and less water in cleaning (not avail on Ebony #51.)
- Universal Height
- Elongated front bowl with SoftClose® seat (SS214)
- 12" Unifit rough-in (included)
- Chrome plated, brushed nickel or polished nickel trip lever

MODELS

- MS624214CEFG
With SanaGloss ceramic glaze, SS214 SoftClose seat included
- MS624214CEF
Less SanaGloss, SS214 SoftClose seat included
- TSU03W.10R - 10" Unifit rough-in (sold separately)
- TSU03W.14R - 14" Unifit rough-in (sold separately)

COLORS/FINISHES

- Standard
#01 Cotton
#03 Bone
#11 Colonial White
#12 Sedona Beige
#51 Ebony (not available in SanaGloss)

#CP Chrome plated trip lever
#BN Brushed nickel trip lever
#PN Polished nickel trip lever

PRODUCT SPECIFICATION

The one-piece high-efficiency Double Cyclone flushing system toilet shall be 1.28GPF/4.8LPF. Toilet shall be 12" Unifit rough-in; 10" and 14" Unifit rough-in are optional. Toilet shall have optional SanaGloss ceramic glaze and be at Universal Height. Toilet shall have elongated front bowl with SoftClose seat and Chrome, Brushed Nickel or Polished Nickel trip lever. Toilet shall be TOTO Model MS624214CEF_____.



SanaGloss

CYCLONE®
FLUSHING SYSTEM BY TOTO

CODES/STANDARDS

- Meets or exceeds ASME A112.19.2/CSA B45.1
- Certifications: IAPMO(cUPC), EPA Watersense, State of Massachusetts, City of Los Angeles, and others
- Code compliance: UPC, IPC, NSPC, NPC Canada, and others
- Legislative Compliance: California AB715, California Green Building Code, City of Los Angeles Water Efficiency Ordinance
- ADA compliant (when installed with trip lever located on the approach side)



MS624214CEF(G)

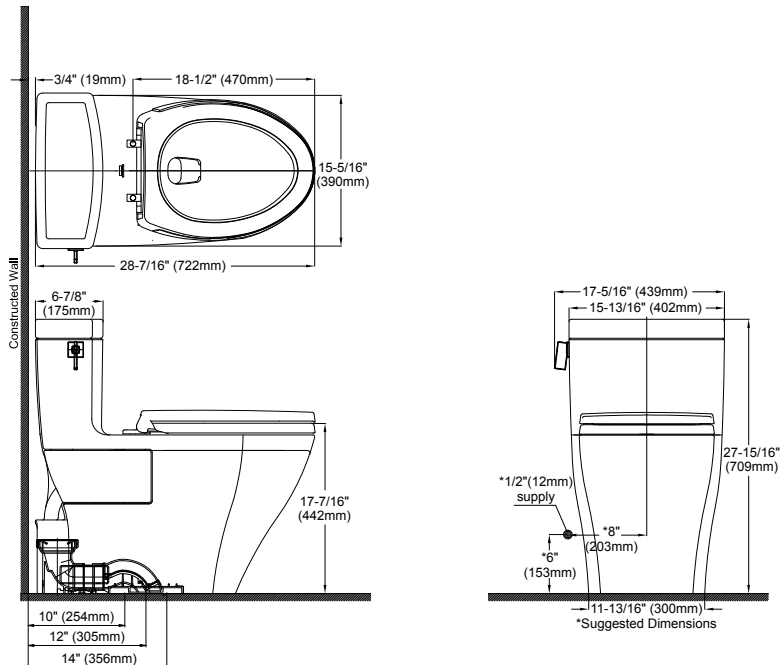
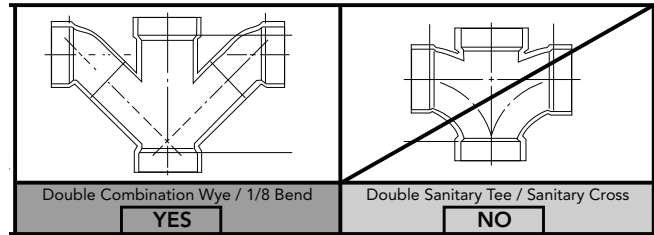
Legato® One-Piece High-Efficiency Toilet, 1.28GPF

SPECIFICATIONS

- Water Use 1.28 GPF/4.8LPF
- Flush System Double Cyclone®
- Min. Water Pressure 8 psi (flowing)
- Water Surface 7-3/4" x 9-3/8"
- Trap Diameter 2-1/8"
- Rough-in 12" std, 10" & 14" optional
- Trap Seal 2-1/8"
- Warranty One Year Limited Warranty
- Material Vitreous china
- Shipping Weight 119 lbs.
- Shipping Dimensions 32" L x 20" W x 17-3/4" H¹
x 28-3/4" H²

INSTALLATION NOTES

Back-to-Back Toilet Installations:
TOTO recommends the use of a nationally listed, double sanitary tee-wye only, in vertical waste stacks, in accordance with the stipulations noted in the majority of nationally recognized plumbing codes.



TOTO®

These dimensions and specifications are subject to change without notice